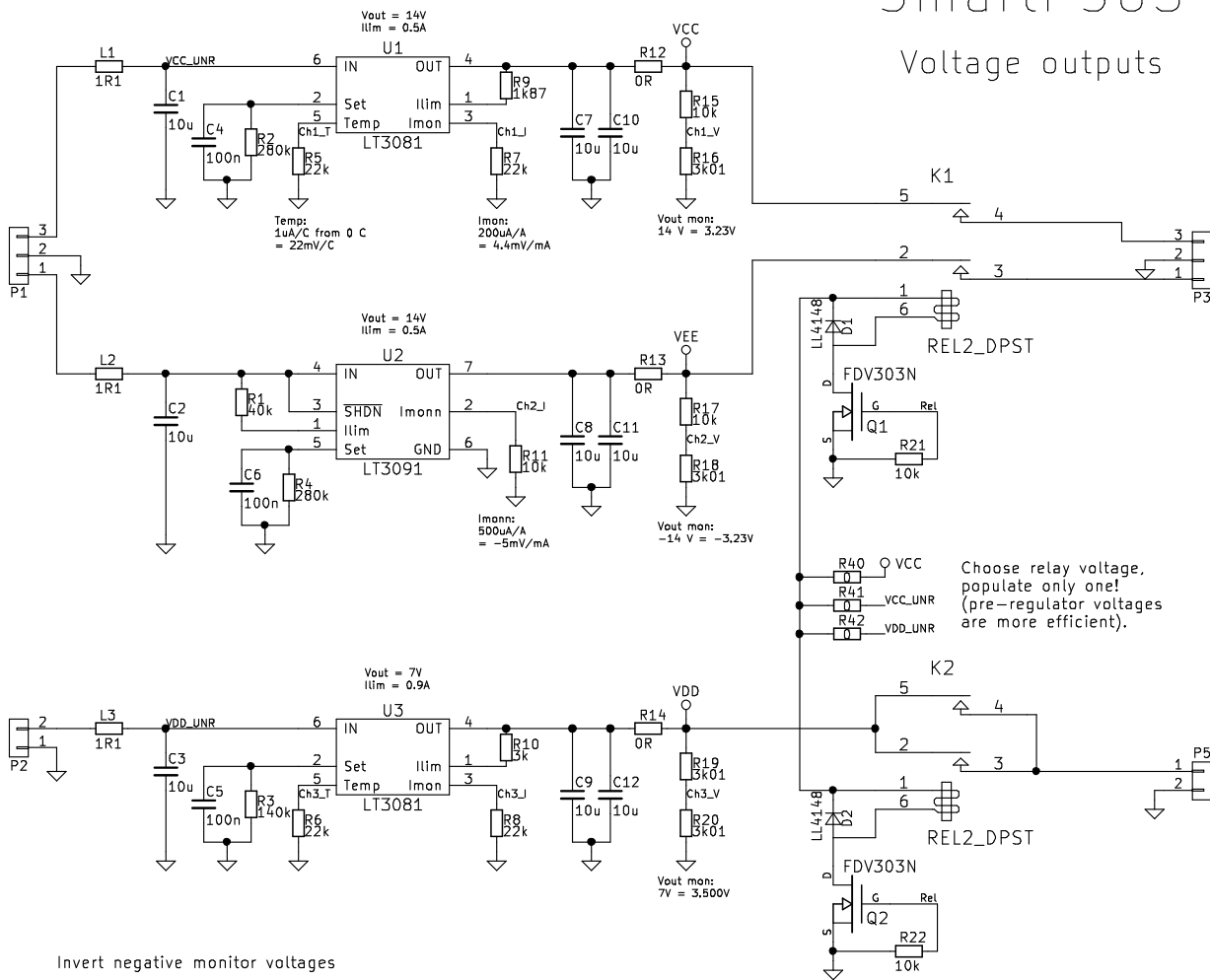


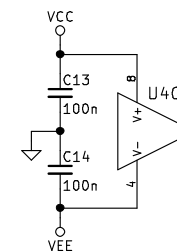
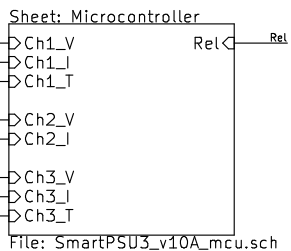
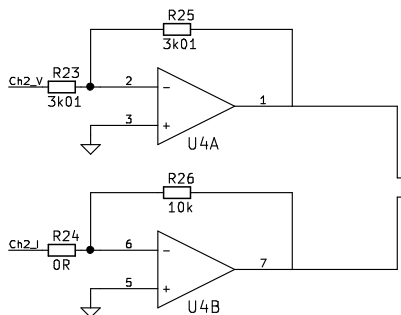
SmartPSU3

Voltage outputs



Choose relay voltage, populate only one! (pre-regulator voltages are more efficient).

Invert negative monitor voltages



Tomi Nihtilä

Sheet: /
File: SmartPSU3_v10A.sch

Title: SmartPSU3

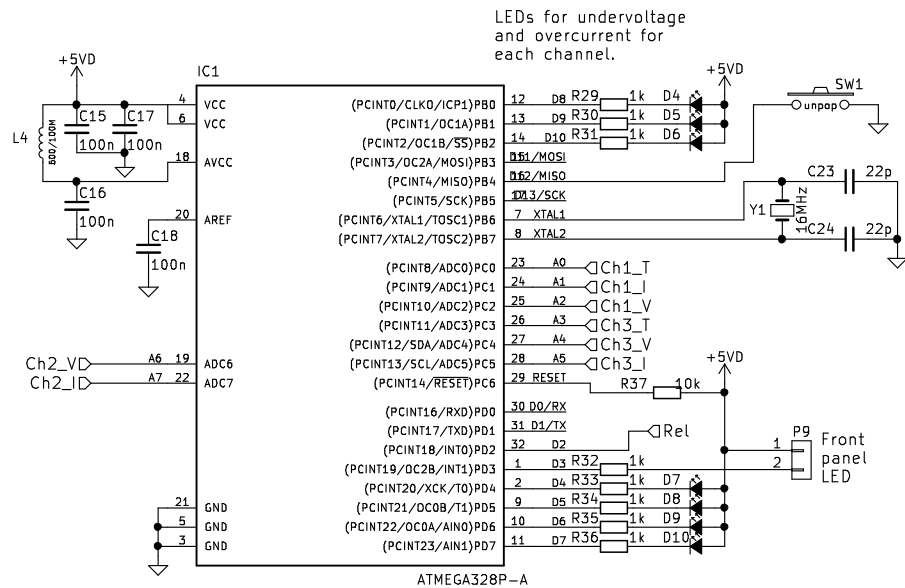
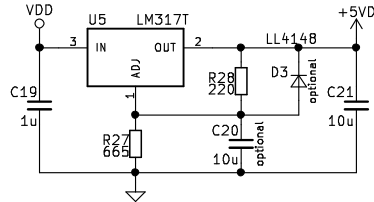
Size: A4 Date: 2016-05-04
KiCad E.D.A. kicad 4.0.7

Rev: v1.0A
Id: 1/2

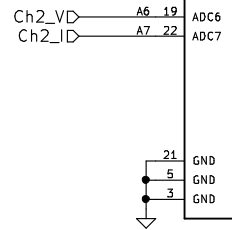
SmartPSU3

Microcontroller

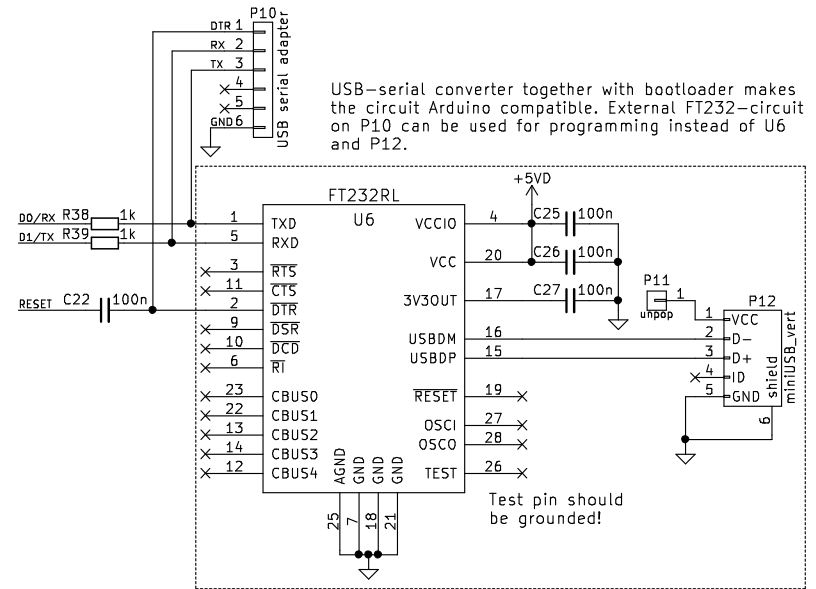
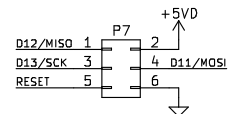
Modified on-board to take input from P2 input connector instead of VDD. See bug list.



LEDs for undervoltage and overcurrent for each channel.



SPI-programming connector



USB-serial converter together with bootloader makes the circuit Arduino compatible. External FT232-circuit on P10 can be used for programming instead of U6 and P12.

Test pin should be grounded!

Tomi Nihilä

Sheet: /Microcontroller/
File: SmartPSU3_v10A_mcu.sch

Title: SmartPSU3

Size: A4 Date: 2016-05-04
KiCad E.D.A. kicad 4.0.7

Rev: v1.0A
Id: 2/2