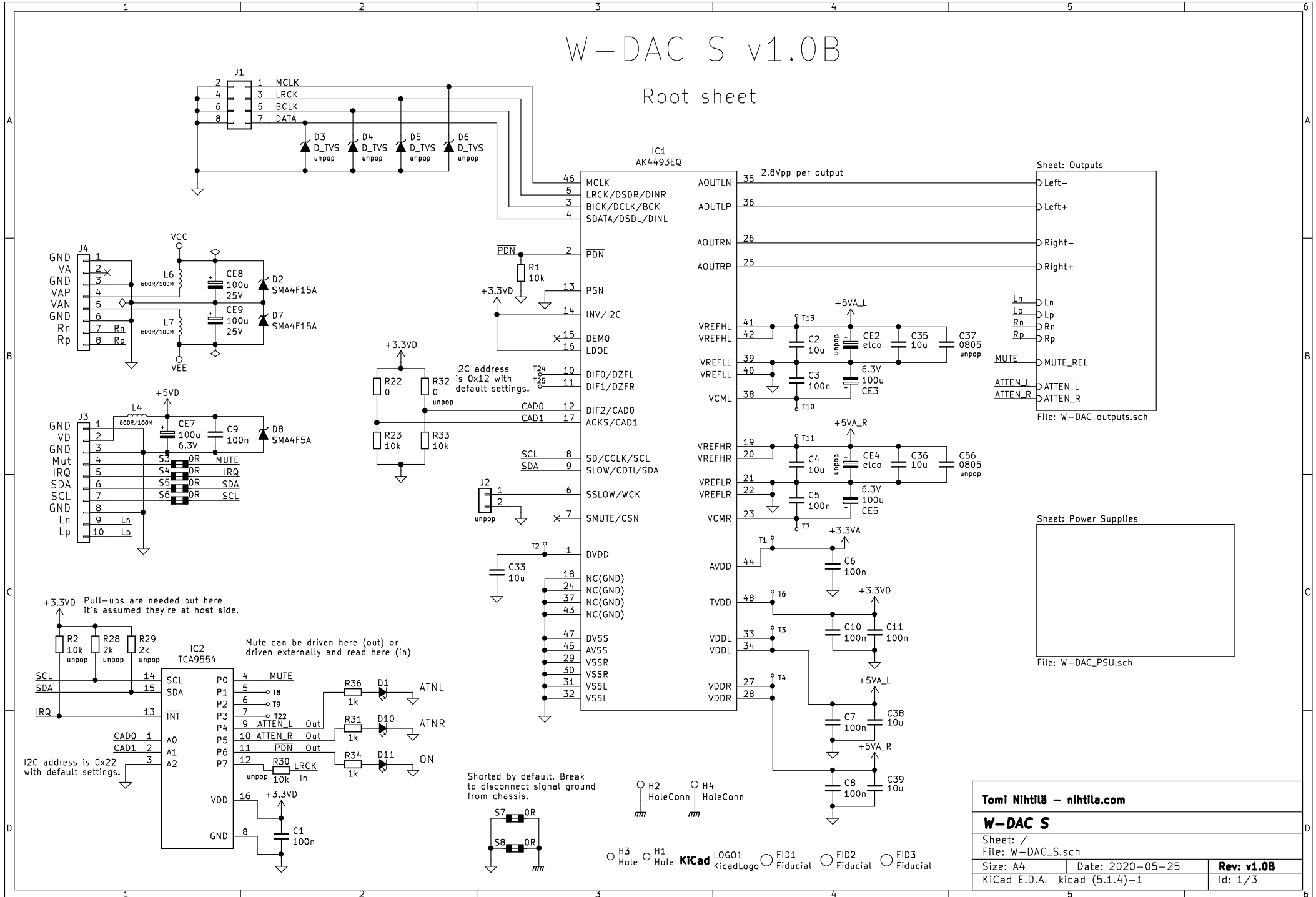


# W-DAC S v1.0B

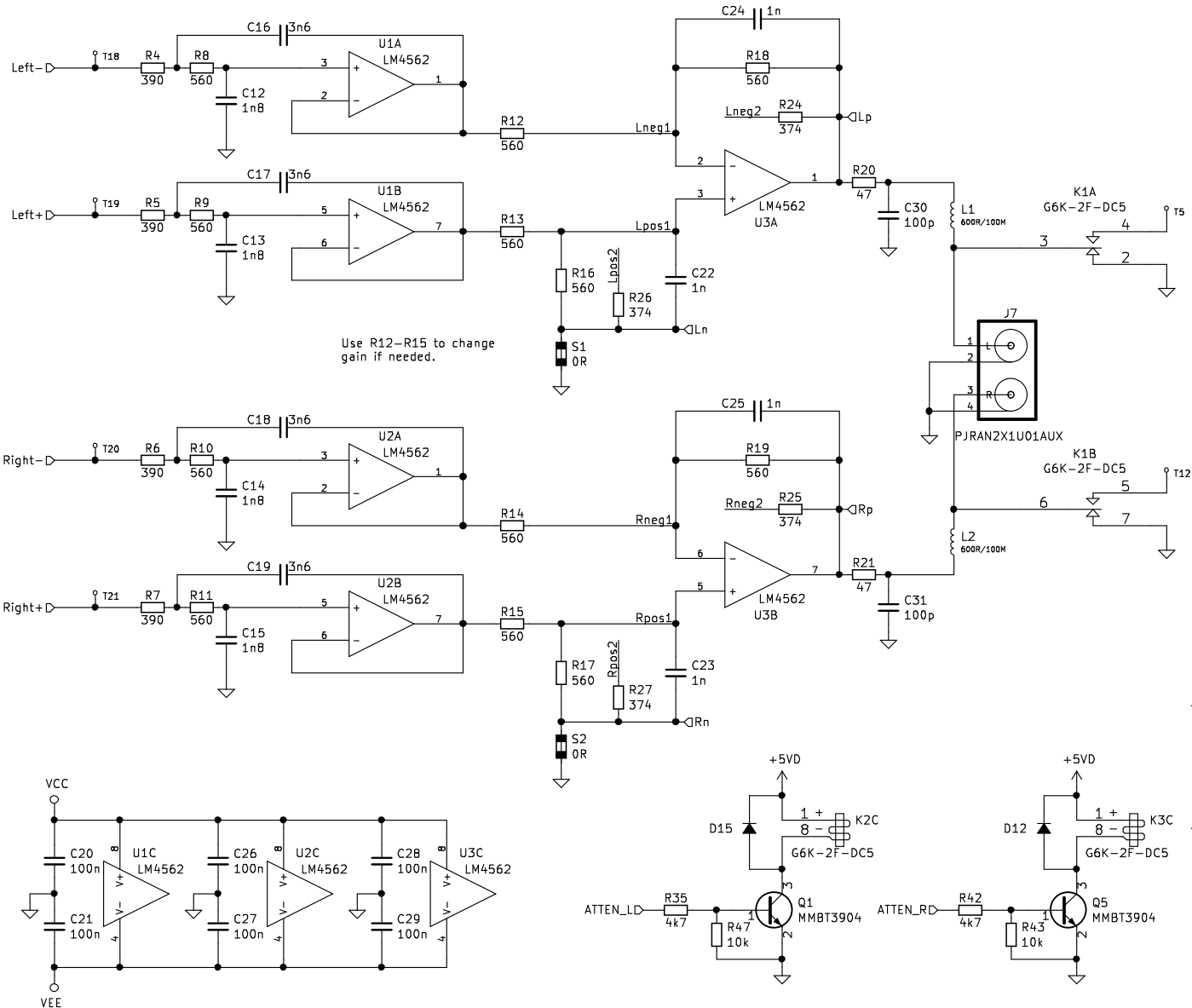
Root sheet



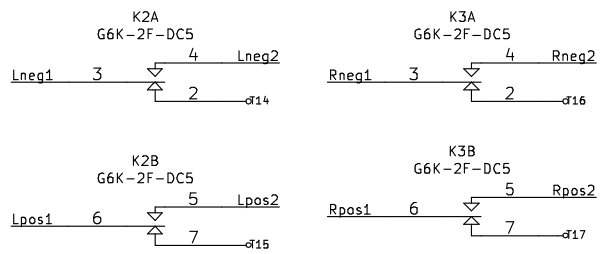
Tomi Nihtilä - nihtila.com	
<b>W-DAC S</b>	
Sheet: /	
File: W-DAC_S.sch	
Size: A4	Date: 2020-05-25
KiCad E.D.A.	Rev: v1.0B
kiCad (5.1.4)-1	Id: 1/3

# W-DAC S v1.0B

## Outputs



Mute circuit that releases under following conditions:  
 -MUTE\_REL is low  
 -5VD supply is up  
 -VCC and VEE are up  
 -VCC and VEE are symmetrical

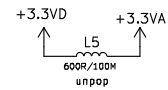
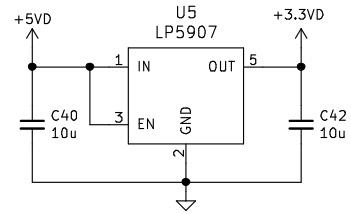


Tomi Nihtilä - nihtila.com		
<b>W-DAC S</b>		
Sheet: /Outputs/ File: W-DAC_outputs.sch		
Size: A4	Date: 2020-05-25	Rev: v1.0B
KiCad E.D.A.	kiCad (5.1.4)-1	Id: 2/3

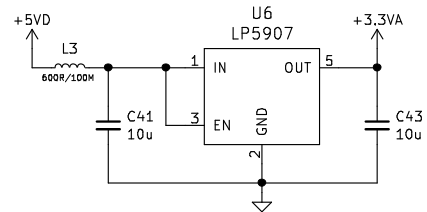
# W-DAC S v1.0B

## Power Supplies

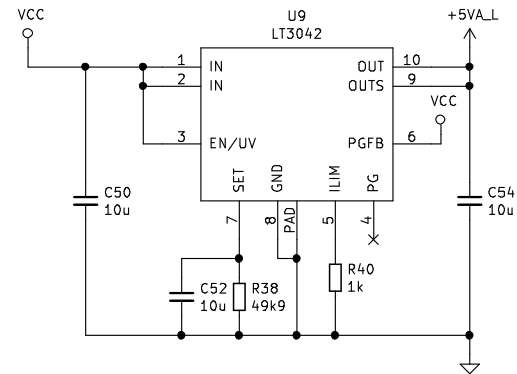
DVDD Supply



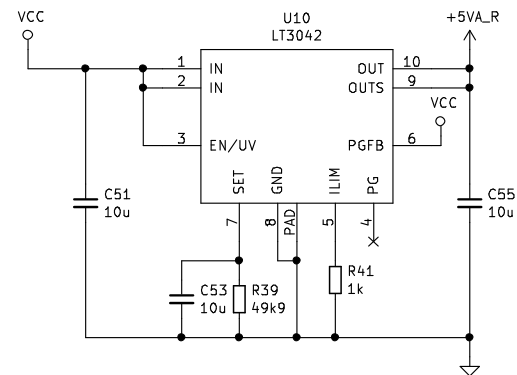
AVDD Supply



5V Left Supply



5V Right Supply



Tomi Nihtilä - nihtila.com

### W-DAC S

Sheet: /Power Supplies/  
File: W-DAC\_PSU.sch

Size: A4 Date: 2020-05-25

Rev: v1.0B

KiCad E.D.A. kicad (5.1.4)-1

Id: 3/3