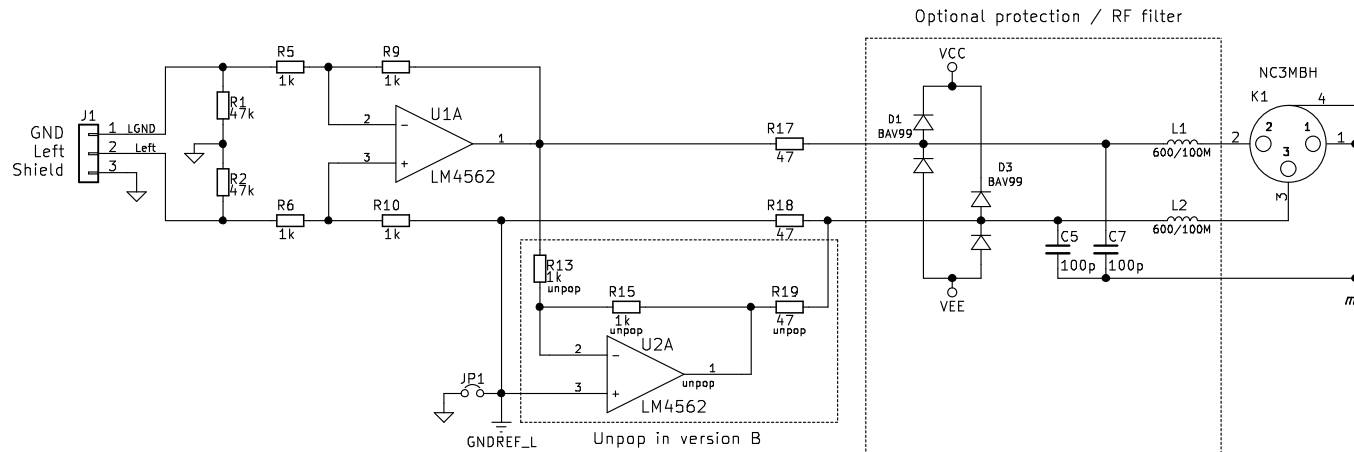


# Addon BalOut v2.0B

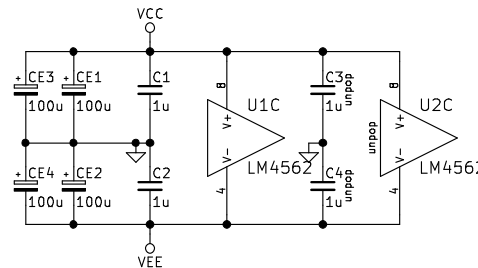
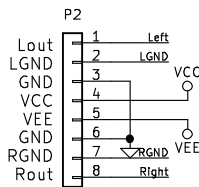
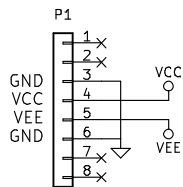
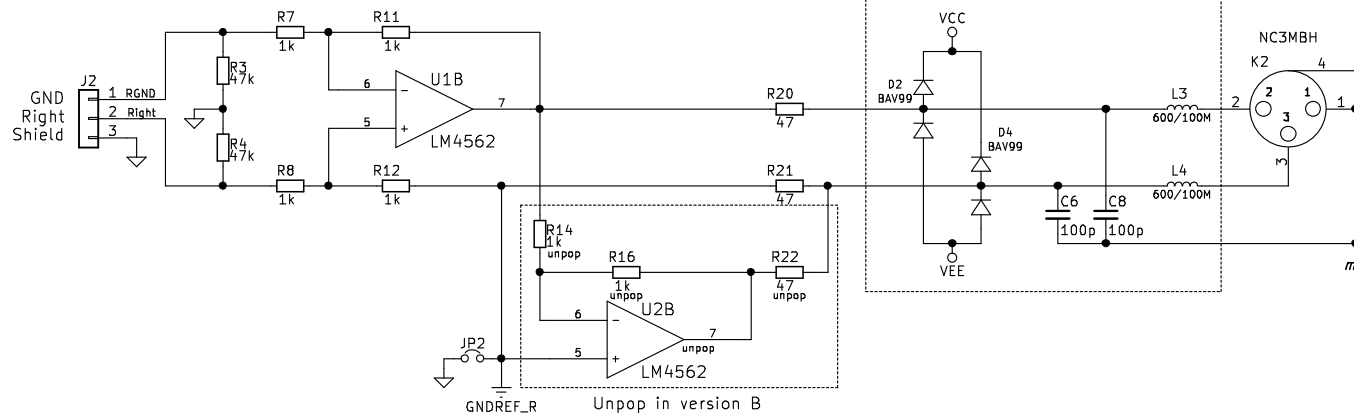


Basically any opamp will do. LM4562 has excellent performance, NE5532 has excellent performance for the price.

There are two versions with basically identical functionality:

A-version:  
Inverting opamp U2 with corresponding components are populated. This drives cold output lead with inverted signal.

B-version:  
Cold output lead is not actively driven but taken from ground. This option has 6dB lower signal level with otherwise identical components but also benefits pros of balanced interconnection.



Tommi Nihtilä

## Addon BalOut

Sheet: /

File: Addon\_BalOut\_v20B.sch

Size: A4

Date: 2018-02-20

Rev: v2.0B

KiCad E.D.A. kiCad 4.0.7

Id: 1/1