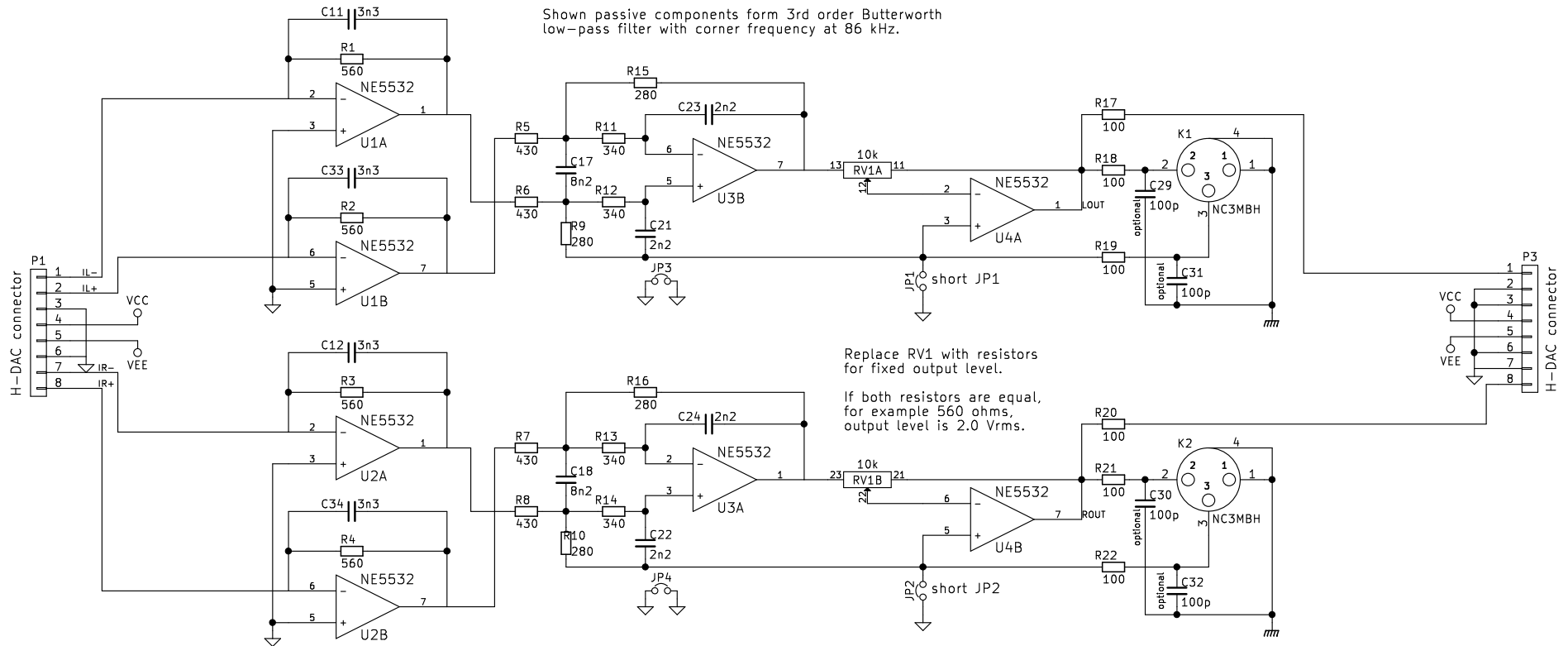


Addon H-Filter

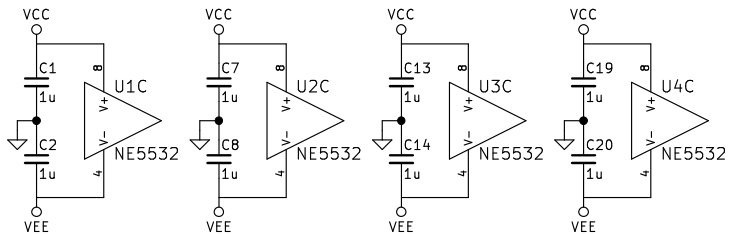
Choose preferred opamps.

Shown passive components form 3rd order Butterworth low-pass filter with corner frequency at 86 kHz.

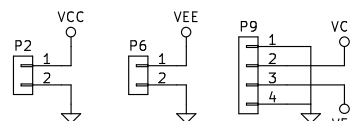


Replace RV1 with resistors for fixed output level.

If both resistors are equal, for example 560 ohms, output level is 2.0 Vrms.



H-DAC connectors



Tomi Nihtilä

Sheet: /
File: Addon_H-Filter_v10A.sch

Title: Addon H-Filter

Size: A4 Date: 2016-12-04

KiCad E.D.A. kicad 4.0.1-stable

Rev: v1.0A

Id: 1/1