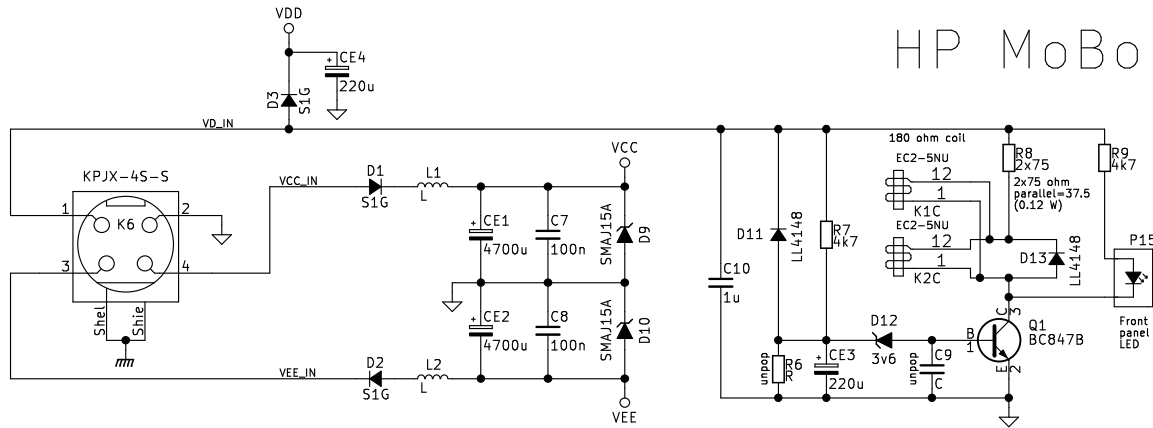


# HP MoBo

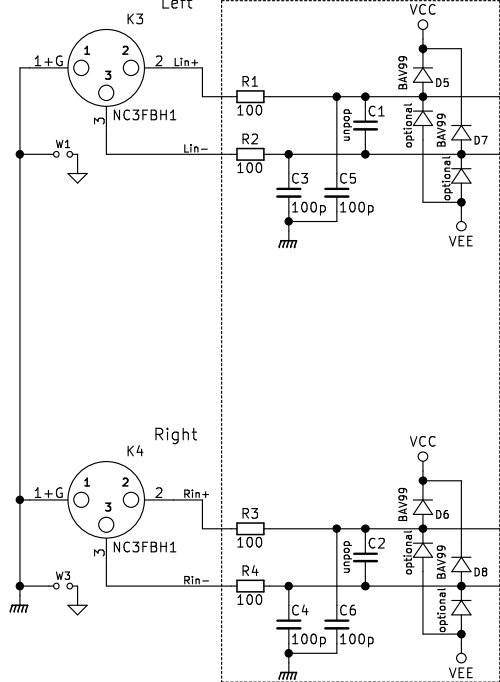


**Output mute control**  
 -Relay shorts outputs to prevent pops and clicks when power is toggled  
 -Relay is delayed at power-on but releases immediately at power-off

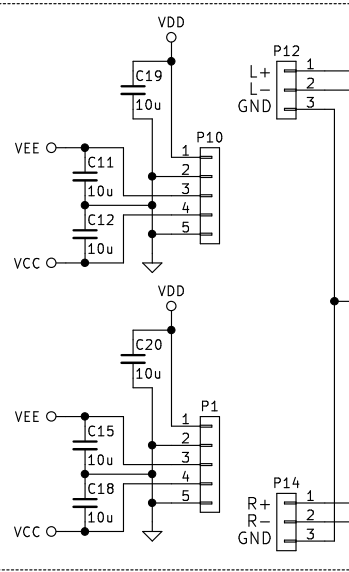
With given components, turn-on delay is approximately 1 second and can be adjusted with CE3.

To prevent power-off pops, relay must release before VCC and VEE collapse. Release means CE3 discharging through D11 when VD\_IN falls to zero. Therefore, VD\_IN must not have large capacitors before HP MoBo or it will delay relay the releasing. D1-D3 prevent current flowing to unwanted directions.

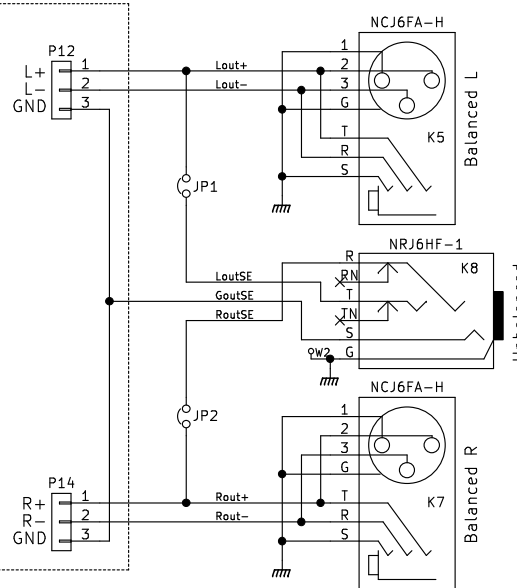
## Optional input filtering and protection



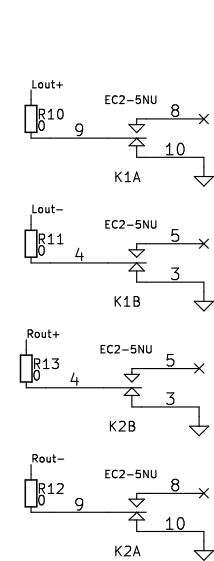
## Amplifier board connections



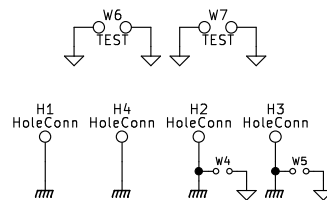
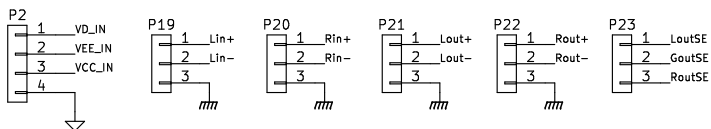
## Output connectors



## Mute relays



## Alternative connectors/pinheaders



**Tomi Nihtila**

Sheet: /  
 File: HP\_MoBo\_v10A.sch

**Title: HP MoBo**

Size: A4 Date: 2017-03-25

KiCad E.D.A. kicad 4.0.1-stable

**Rev: v1.0A**

Id: 1/1