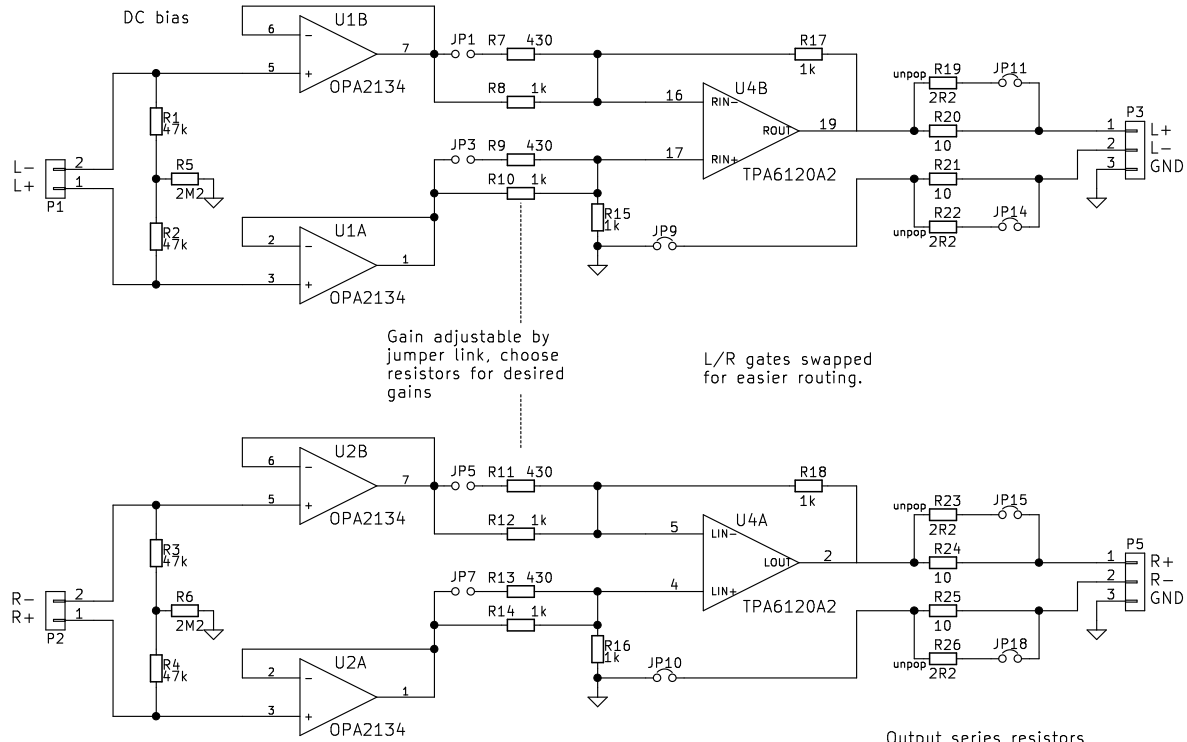


# HP TPA

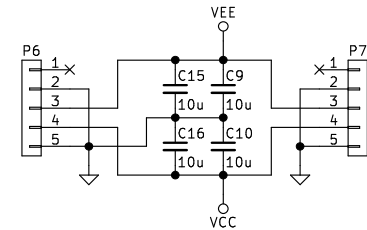


Gain adjustable by jumper link, choose resistors for desired gains

L/R gates swapped for easier routing.

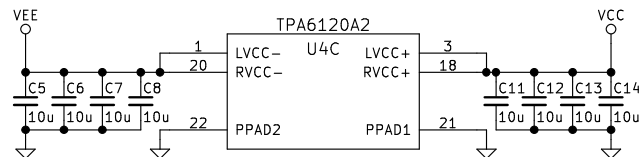
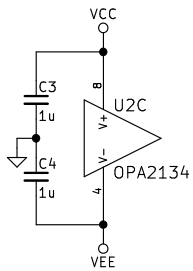
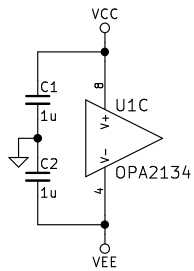


Supply connectors



Output series resistors are required for stability. Minimum recommended in datasheet is 10 ohm.

Use the same value for ground lead for good impedance balance.



**Tomi Nihtilä**

Sheet: /  
File: HP\_TPA\_v10A.sch

**Title: HP TPA**

Size: A4 Date: 2017-03-26

KiCad E.D.A. kicad 4.0.7

**Rev: v1.0A**

Id: 1/1