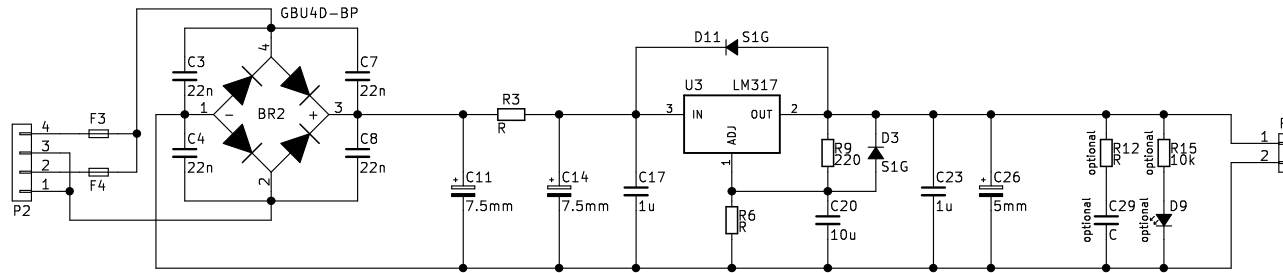
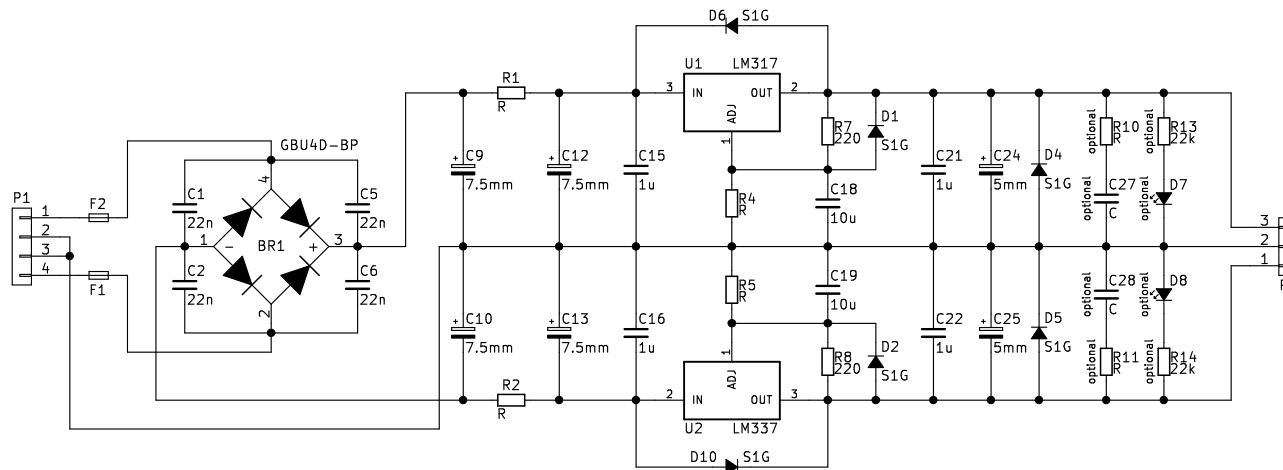


SimplePSU3



Series resistors R1-R3 can be replaced with wires if not used. C12-C14 may not be needed either.



H1 Hole
H2 Hole
H3 Hole
H4 Hole

Tomi Nihtilä

Sheet: /
File: SimplePSU3_v10A.sch

Title: SimplePSU3

Size: A4 Date: 2016-04-12

KiCad E.D.A. eeschema 4.0.1-stable

Rev: v1.0A

Id: 1/1