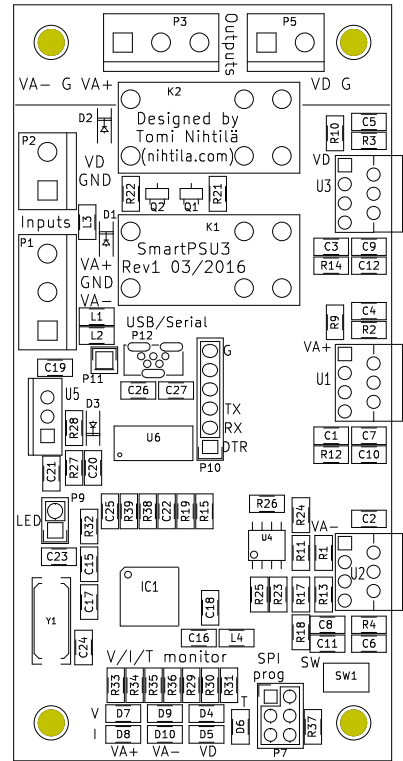


Diode silk screen is wrong way!



LED orientations:

