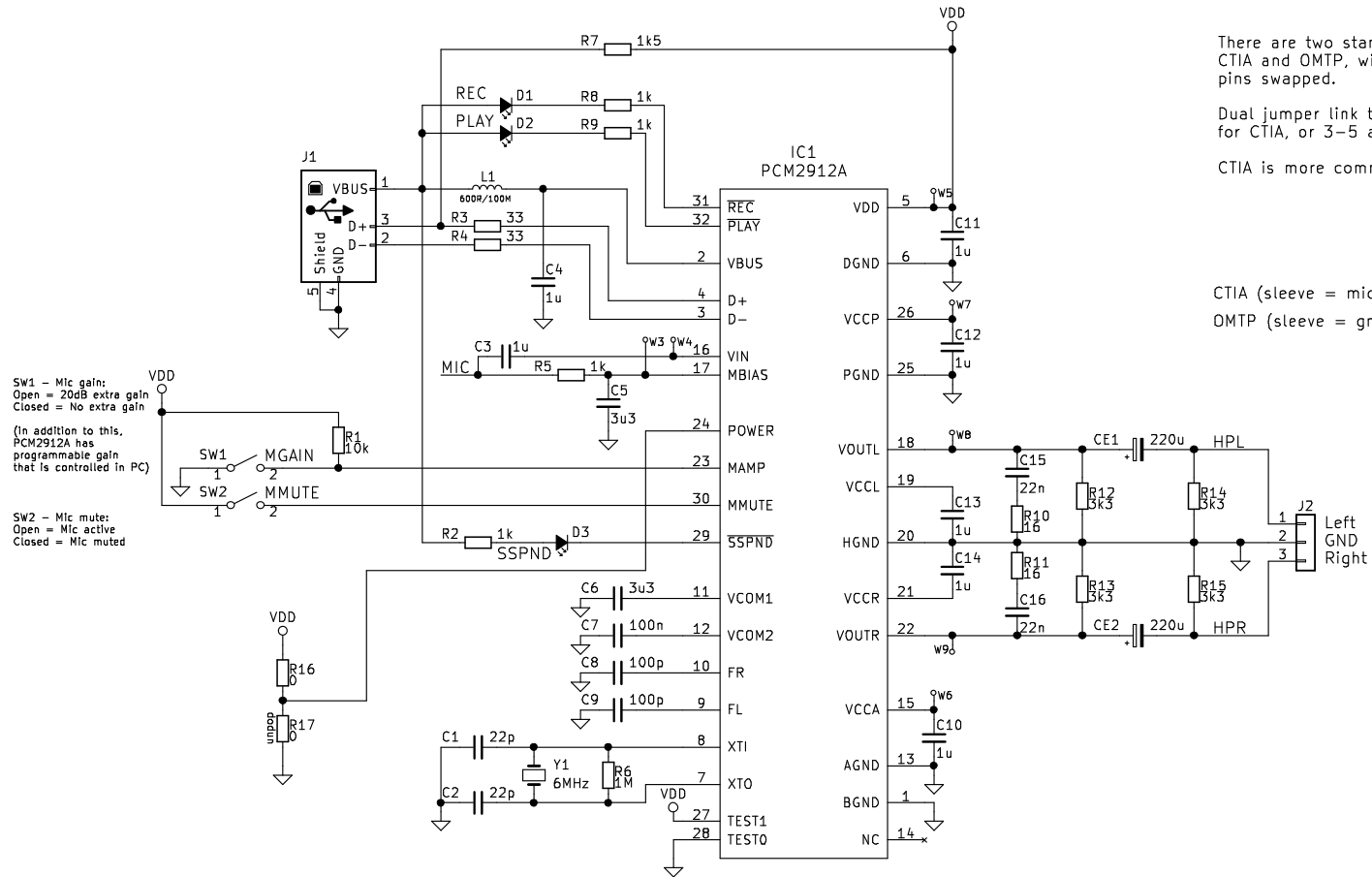


USBHI USB Headset Interface

This is very close to PCM2912A reference design, see datasheet.



SW1 - Mic gain:
Open = 20dB extra gain
Closed = No extra gain

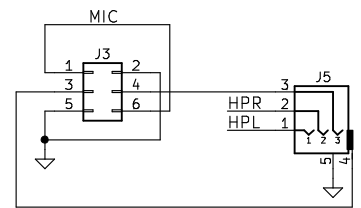
(In addition to this, PCM2912A has programmable gain that is controlled in PC)

SW2 - Mic mute:
Open = Mic active
Closed = Mic muted

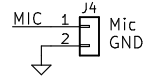
There are two standards for TRRS jack, CTIA and OMTP, with mic and GND pins swapped.

Dual jumper link to close 1-3 and 2-4 for CTIA, or 3-5 and 4-6 for OMTP.

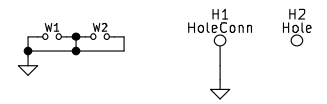
CTIA is more common in headsets.



CTIA (sleeve = mic)
OMTP (sleeve = gnd)



All internally generated supplies VDD, VCCA, VCCCL, VCCR, and VCCP are 3.3 V (typical).



Tommi Nihtilä - nihtila.com		
USBHI USB Headset Interface		
Sheet: /		
File: USBHI_v10A.sch		
Size: A4	Date: 2018-02-18	Rev: v1.0A
KiCad E.D.A.	kiCad 4.0.7	Id: 1/1