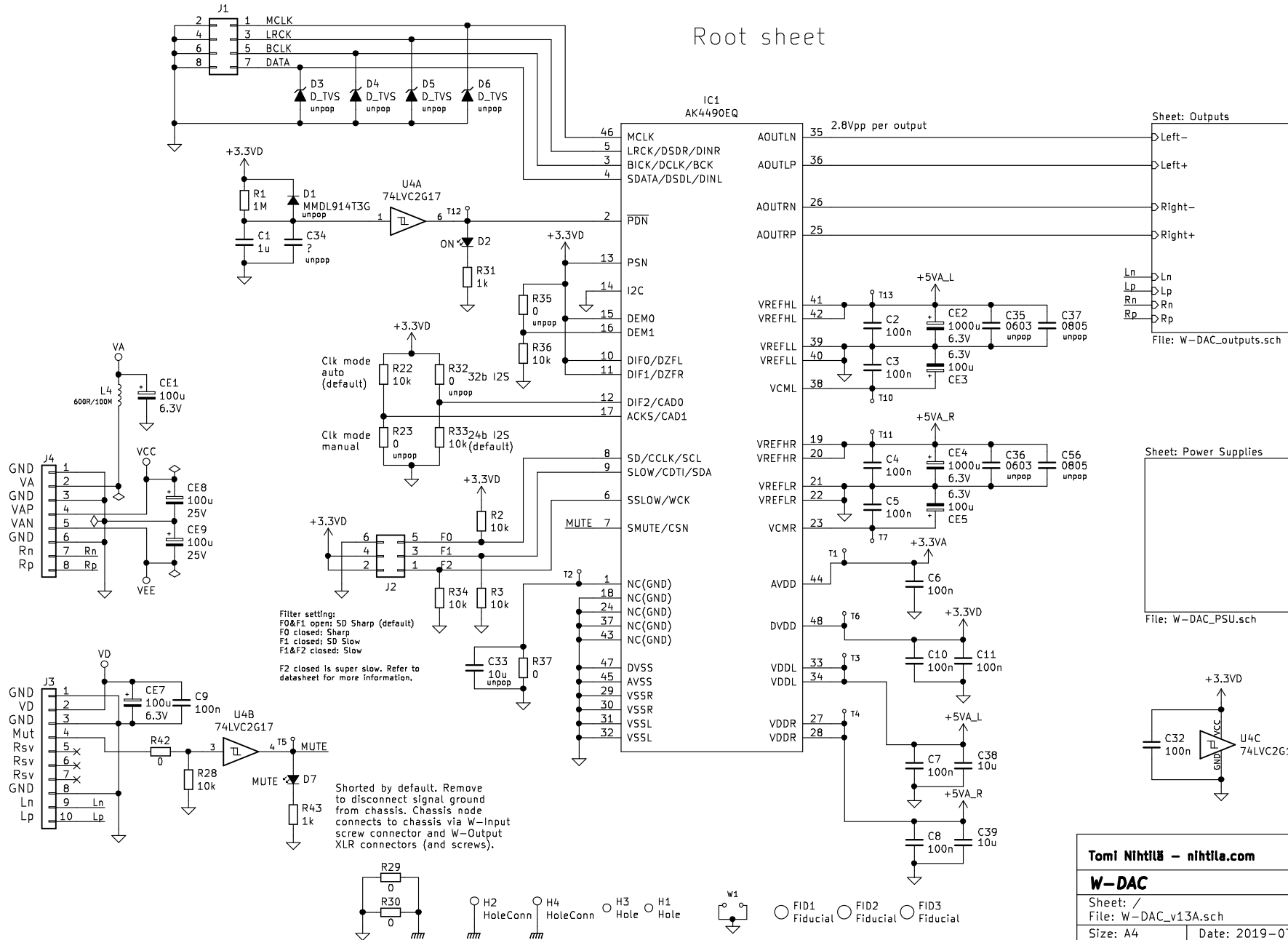


W-DAC v1.3A

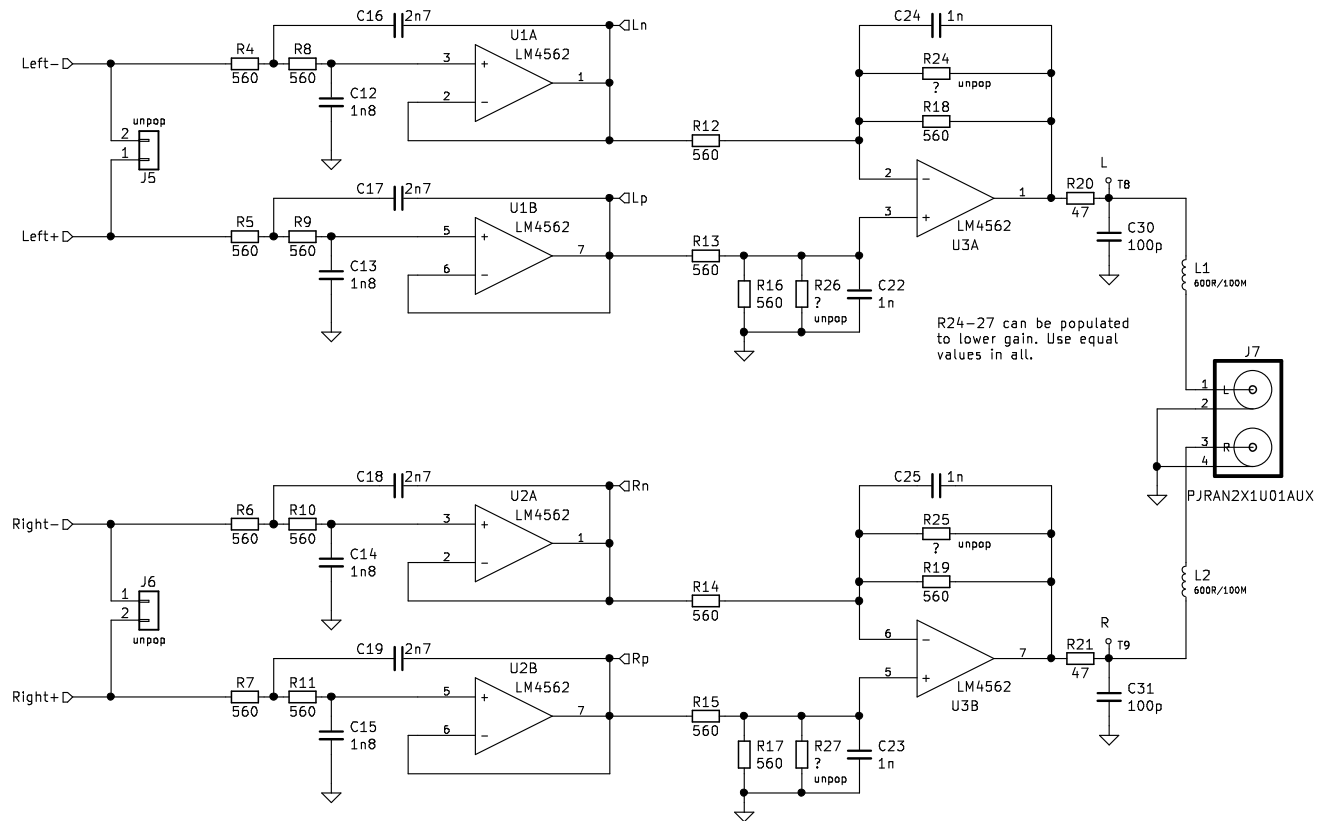
Root sheet



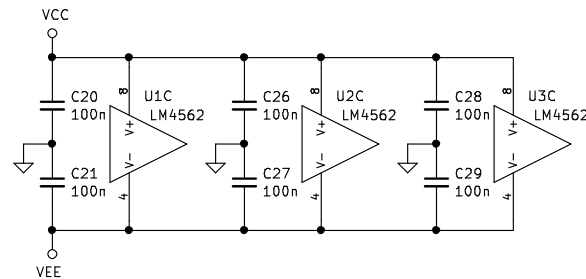
Tomi Nihtilä - nihtila.com	
W-DAC	
Sheet: /	
File: W-DAC_v1.3A.sch	
Size: A4	Date: 2019-07-29
KiCad E.D.A.	Rev: v1.3A
kidcad (5.1.4)-1	Id: 1/3

W-DAC v1.3A

Outputs



R24-27 can be populated to lower gain. Use equal values in all.

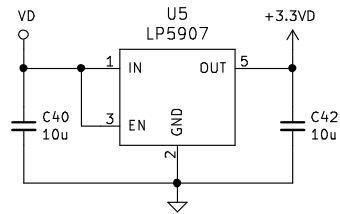


Sheet: /Outputs/		
File: W-DAC_outputs.sch		
Size: A4	Date:	Rev:
KiCad E.D.A.	kiCad (5.1.4)-1	Id: 2/3

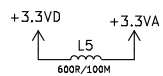
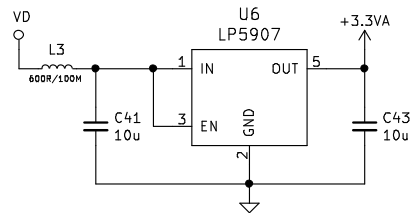
W-DAC v1.3A

Power Supplies

DVDD Supply



AVDD Supply



Not used in A version

