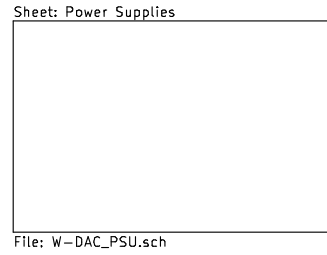
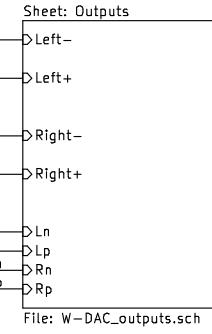
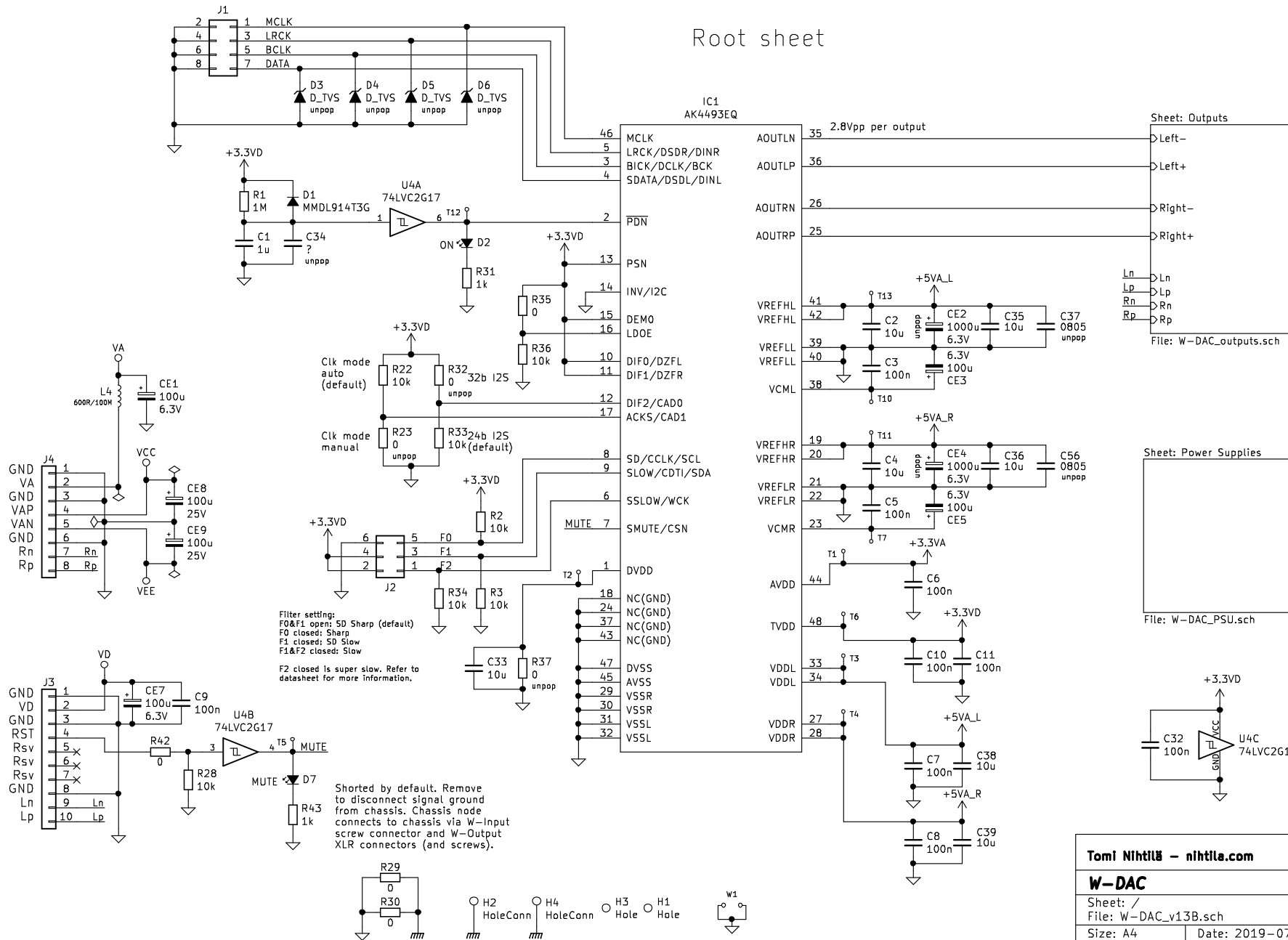


W-DAC v1.3B

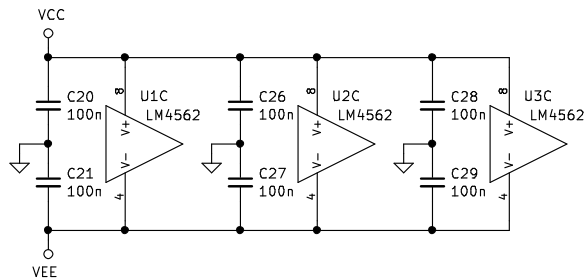
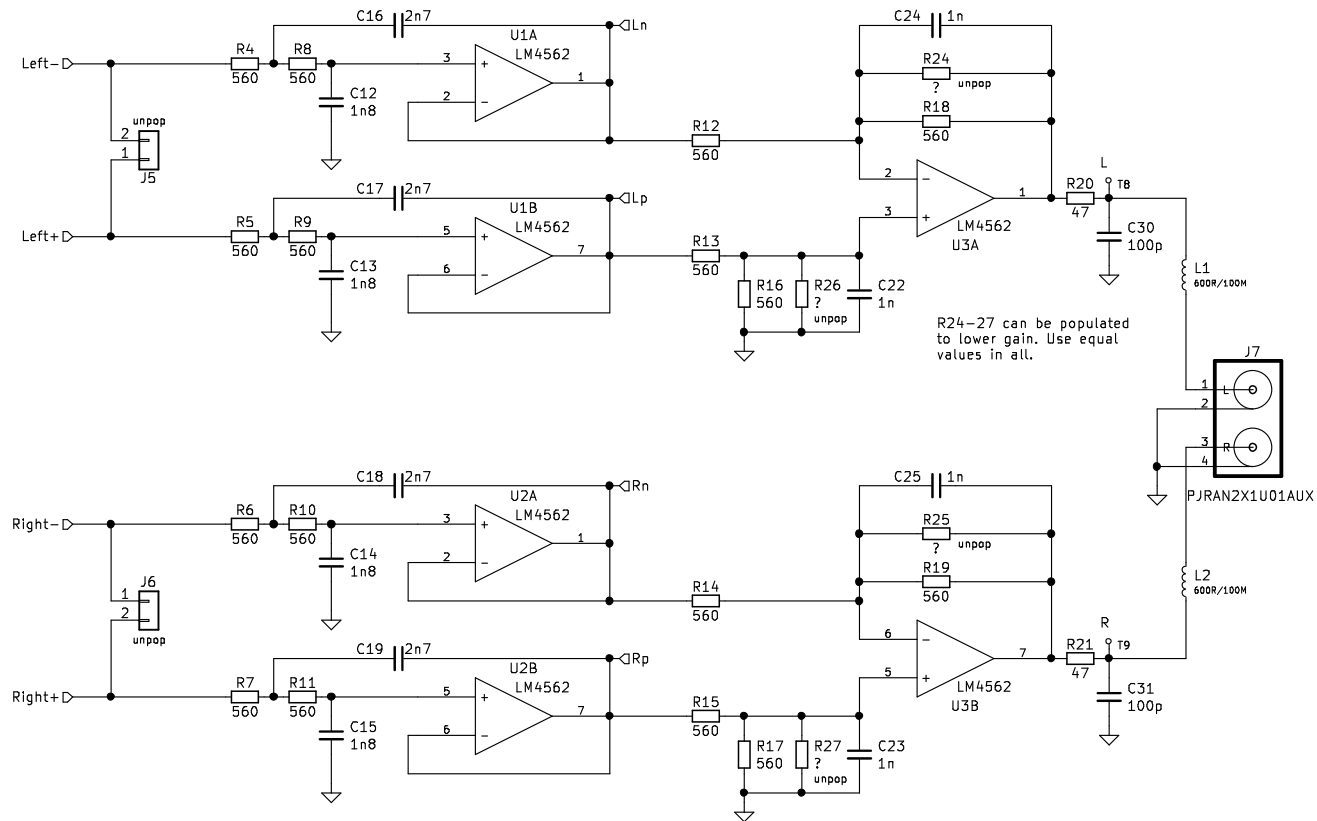
Root sheet



Tomi Nihtilä - nihtila.com	
W-DAC	
Sheet: /	
File: W-DAC_v1.3B.sch	
Size: A4	Date: 2019-07-13
KiCad E.D.A.	Rev: v1.3B
kidcad (5.1.4)-1	Id: 1/3

W-DAC v1.3B

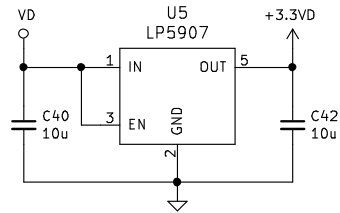
Outputs



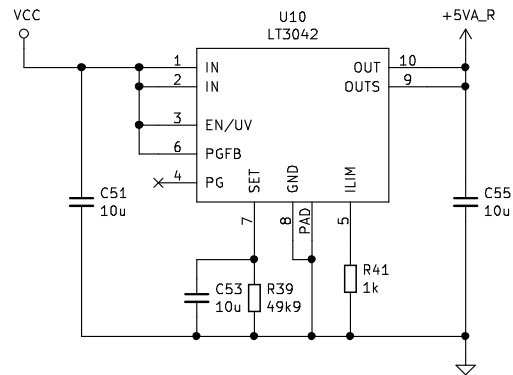
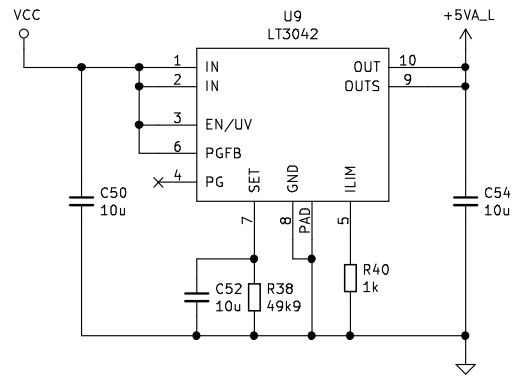
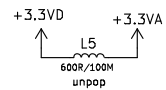
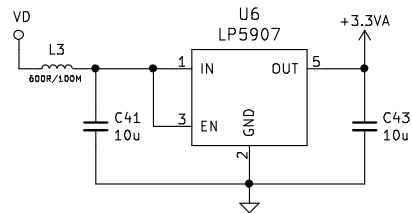
W-DAC v1.3B

Power Supplies

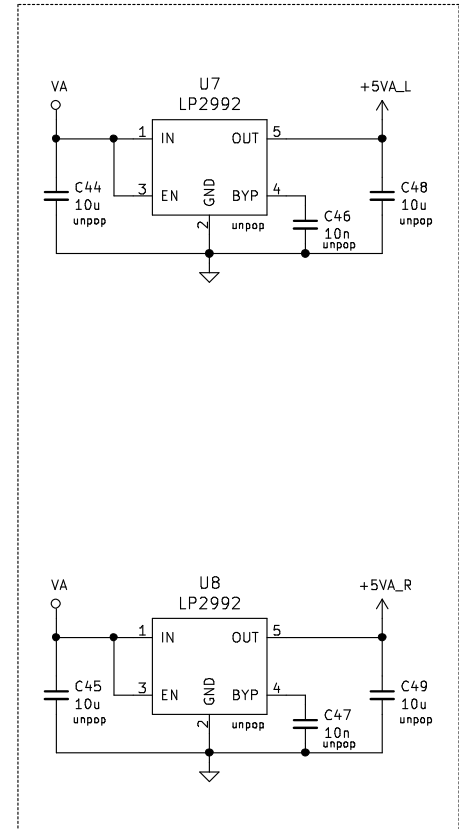
DVDD Supply



AVDD Supply



Note used in B version



Sheet: /Power Supplies/
File: W-DAC_PSU.sch

Size: A4 Date:

Rev:

KiCad E.D.A. kicad (5.1.4)-1

Id: 3/3