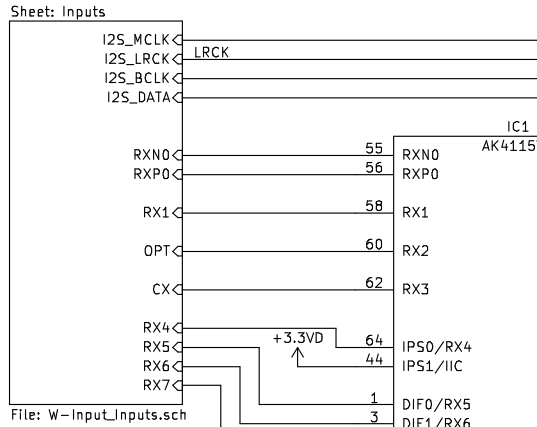
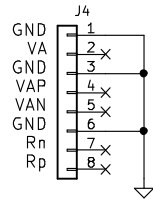
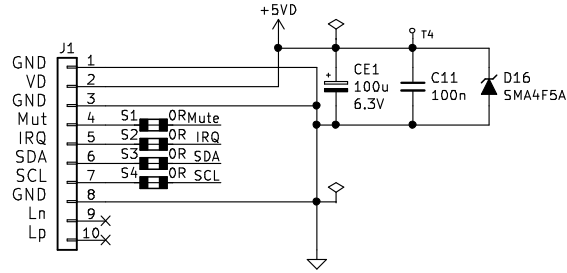
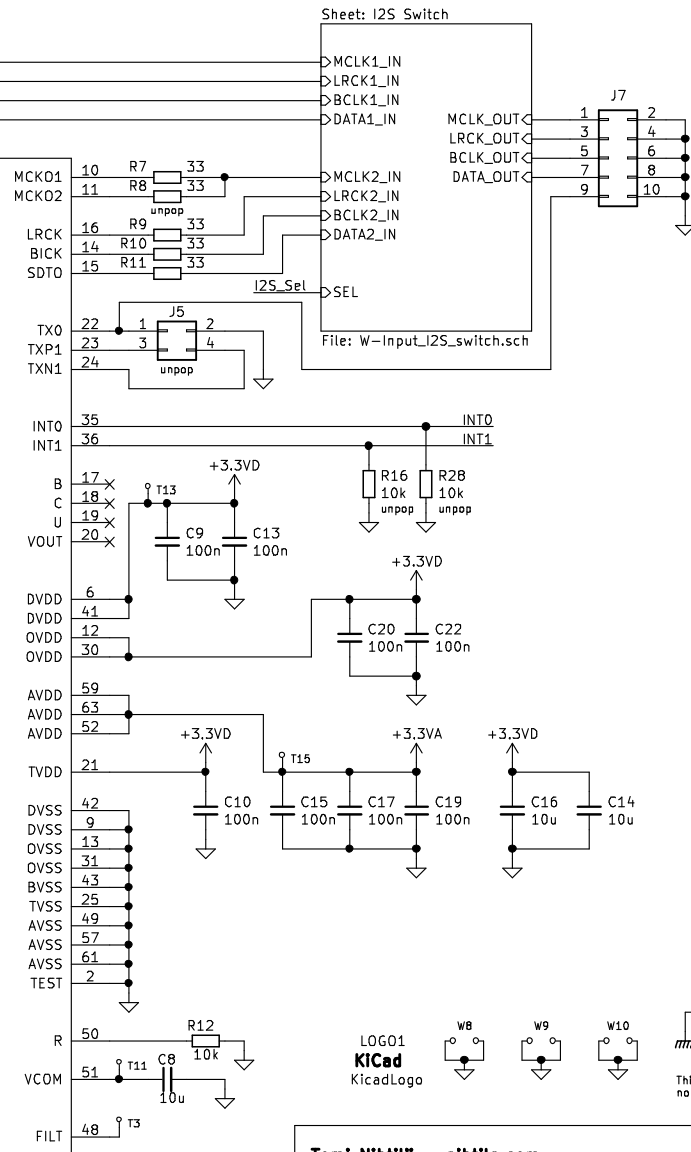
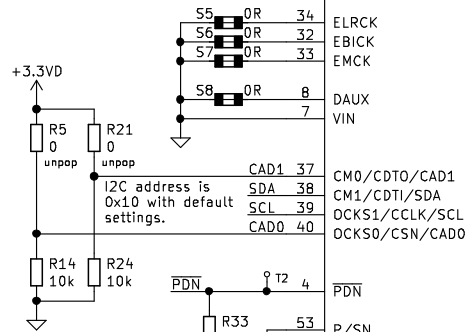
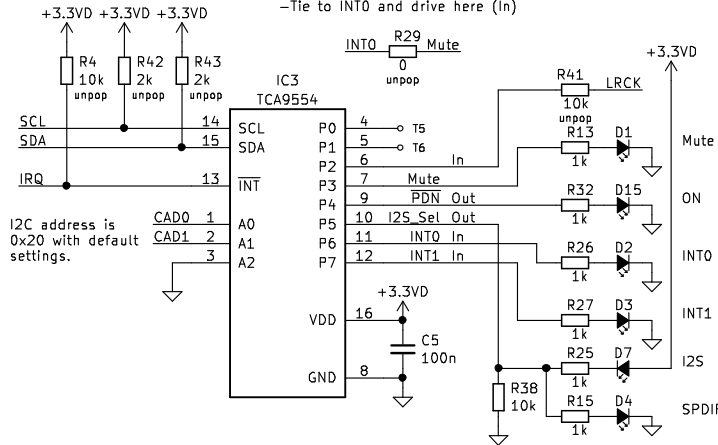


# W-Input S v1.0A



Three options for Mute config:  
 -Drive externally and use (or not) as input here (In)  
 -Drive here (Out)  
 -Tie to INT0 and drive here (In)



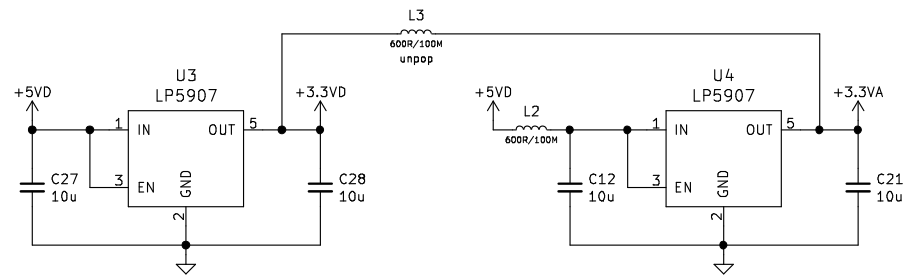
Tomi Nihtilä - nihtila.com		
<b>W-Input S</b>		
Sheet: /		
File: W-Input_S_v10A.sch		
Size: A4	Date: 2020-05-25	Rev: v1.0A
KiCad E.D.A.	kiCad (5.1.4)-1	Id: 1/4

- FID1 Fiducial
- FID2 Fiducial
- FID3 Fiducial
- MountTerminal
- HoleConn
- HoleConn
- Hole
- Hole

This connection is normally an W-DAC.

# W-Input S v1.0A

## Power Supplies



Sheet: /Power Supplies/  
File: W-Input\_PSU.sch

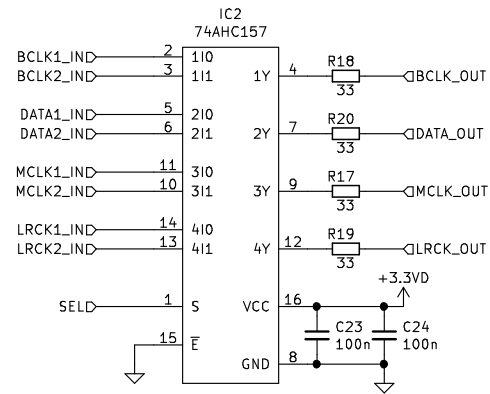
Size: A4 Date:   
KiCad E.D.A. kicad (5.1.4)-1

Rev:   
Id: 2/4

# W-Input S v1.0A

## I2S Switch

5V tolerant inputs

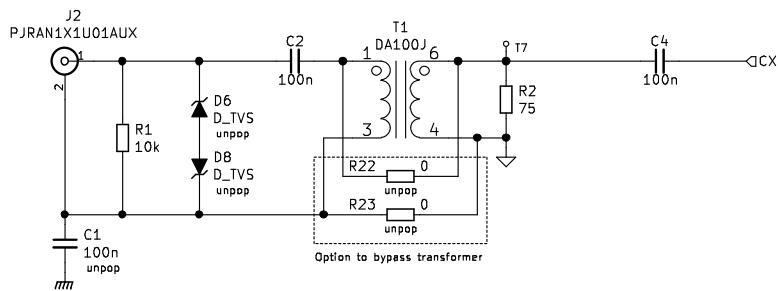
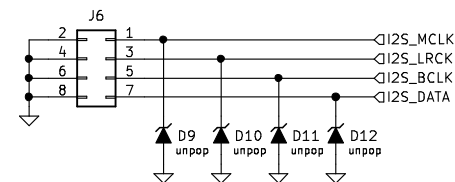
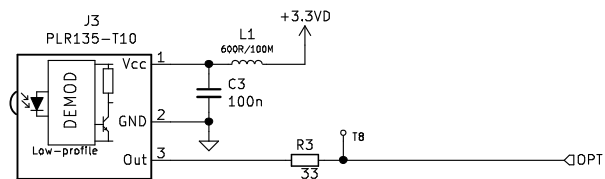


Sheet: /I2S Switch/  
File: W-Input\_I2S\_switch.sch

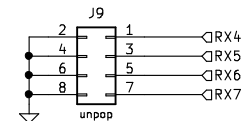
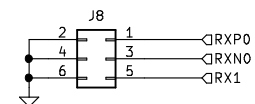
Size: A4	Date:	Rev:
KiCad E.D.A.	kiCad (5.1.4)-1	Id: 3/4

# W-Input S v1.0A

## Inputs



For input expansion board



Sheet: /Inputs/  
File: W-Input\_Inputs.sch

Size: A4	Date:	Rev:
KiCad E.D.A.	kiCad (5.1.4)-1	Id: 4/4